

Limited 2 Year Warranty

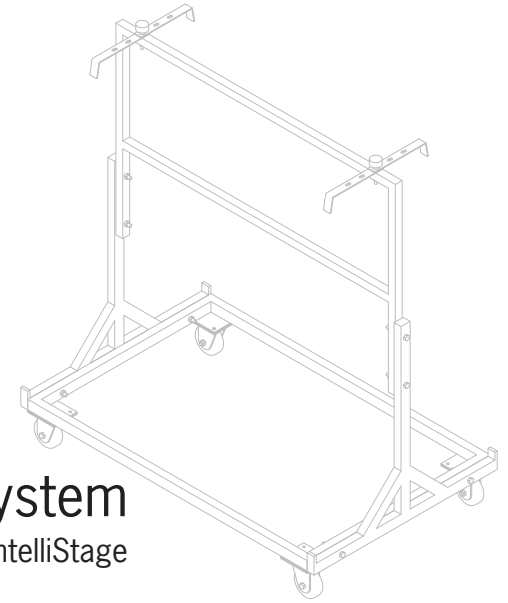
Road Ready warrants to the original owner of each new IntelliStage Staging 101 product, for a period of 2 years from the date of purchase, (provided that is purchased at an Authorized IntelliStage Dealer) that is free of defects in materials and workmanship and that each product meets or exceeds all factory published specifications. This warranty is void if the product has been tampered with or misused beyond reasonable wear, and shall not apply if the product has been physically damaged. Improper handling, set-up or use of this unit could cause it to fail which could lead to serious injury or death. Please be sure to read, understand and follow all operating instructions and weight load information in this manual before using this product. Do not allow children or untrained persons to use this product. There are no obligations of liability on the part of Road Ready for any personal injuries, death, consequential damage or any other indirect damages with respect to, loss of property, revenues, profit or costs of removals, installations or re-installations arising out of, or in connection with, the use or performance of an IntelliStage Staging 101 product.



IntelliStage™
12662 Corral Place ★ Santa Fe Springs CA 90670
Ph: 562.906.6185 ★ Fax: 562.906.6186
Email: usa@intellistage.com ★ www.IntelliStage.com

VI.0-5.14.13

Staging 101 Transportation System by IntelliStage





Staging 101

Portable Stage System

by IntelliStage

Contents

Introduction	1
About the Staging 101 Trolley	1
Loading Instructions	1
Important Safety Instructions	1
Parts & Hardware	2
Assembly Instructions	2
Loading Capacity	2
Warranty	Back Cover

Introduction

Thank you for being a **Staging 101** customer and welcome to the family.

We do one thing and do it well – build products that make your life easier. Crafting innovative, quality products is our calling and we take it seriously. Strong, modular and versatile, your **Staging 101** system is crafted out of the finest materials available and put through our grueling quality check before it ships out the door.

We thank you for your purchase and know that your **Staging 101** system will definitely steal the show! However, if you should require any assistance or service, you'll find that we take as much pride in supporting our products as we do in designing and building them.

About the Staging 101 Trolley

The **Staging 101 Trolley** is the ultimate in versatility, ruggedness and perfect for performances and large exhibits. The **Staging 101 Trolley** series consists of lightweight aluminum truss frames and large casters that can be locked in place for loading and unloading as well as storage.

The **Staging 101 Trolley** is capable of storing up to six **Staging 101** platforms. The trolley loading configuration is shown to the right.

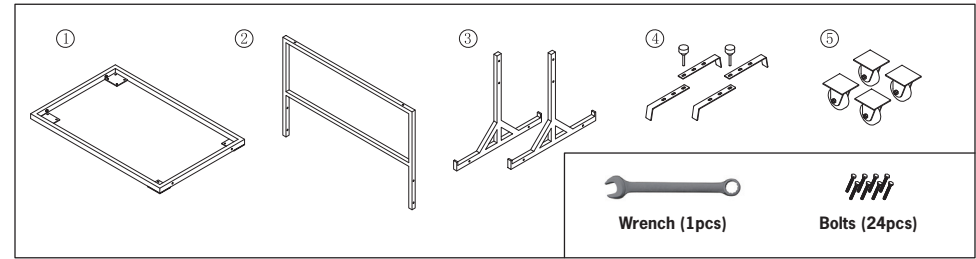
Please consult your local **Staging 101 Trolley** dealer or visit s101.intellistage.com for product inquiries and recommended stage to trolley pairings.

Loading Configuration

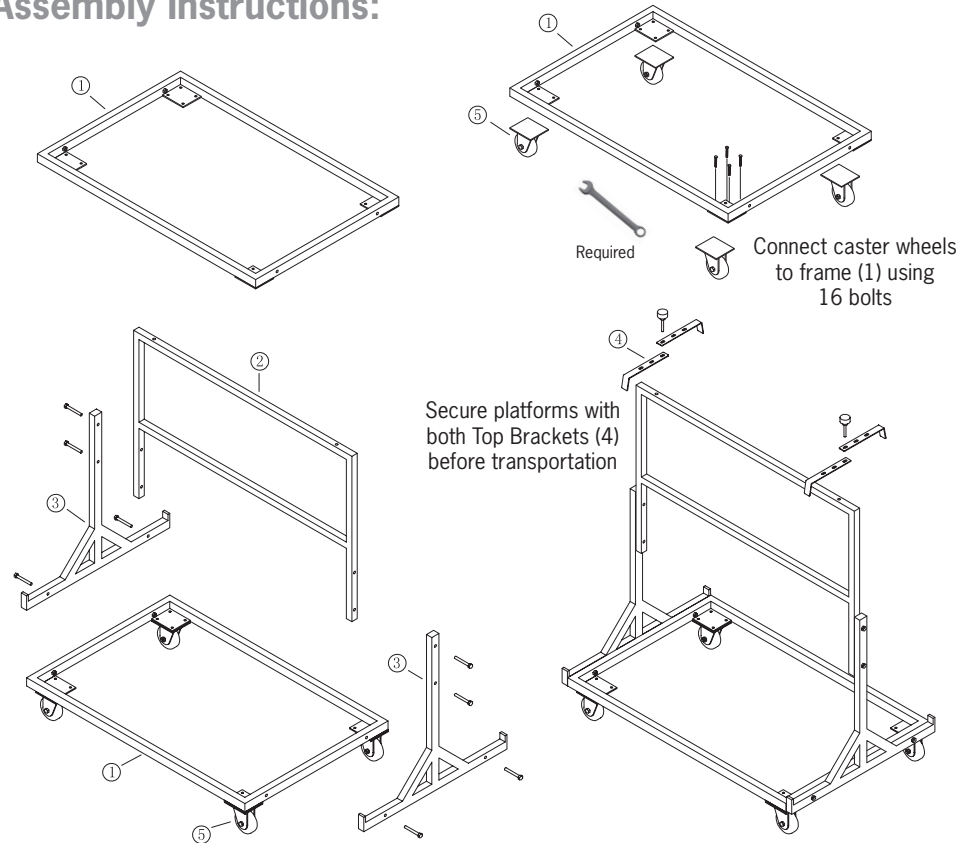


All-Terrain Trolley System

Parts & Hardware:



Assembly Instructions:



Important Safety Instructions:



- 1.) Intended for operation by qualified adults and professionals
- 2.) Do not exceed the maximum listed product capacities
- 3.) Make sure all components are secured before transportation
- 4.) When not in use, lock the caster wheels to prevent movement
- 5.) **Only use on relatively smooth, level ground**

Loading Capacity:

Platforms	Maximum Capacity*
	Up to 6 pcs

*Actual capacity depends on available space and may be limited by other components